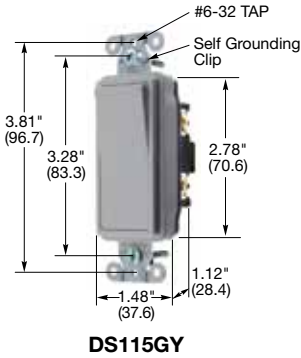
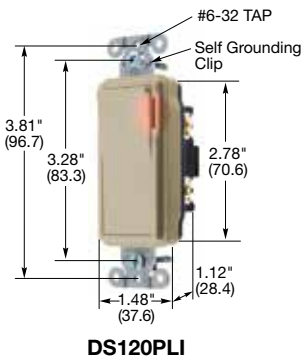


## Style Line® Decorator Specification Grade Commercial Series, 15A, 120/277V AC



Description	Rocker Color	Single Pole	Double Pole	Three Way	Four Way
Rocker, back and side wired.	Almond	<b>DS115AL</b>	—	<b>DS315AL</b>	—
	Black	<b>DS115BK</b>	—	<b>DS315BK</b>	—
	Brown	<b>DS115</b>	—	<b>DS315</b>	—
	Gray	<b>DS115GY</b>	—	<b>DS315GY</b>	—
	Ivory	<b>DS115I</b>	—	<b>DS315I</b>	—
	Light Almond	<b>DS115LA</b>	—	<b>DS315LA</b>	—
	Office White	<b>DS115OW</b>	—	<b>DS315OW</b>	—
	White	<b>DS115W</b>	—	<b>DS315W</b>	—

## Style Line® Decorator Specification Grade Commercial Series, 20A, 120/277V AC



Description	Rocker Color	Single Pole	Double Pole	Three Way	Four Way
Rocker, back and side wired.	Almond	<b>DS120AL</b>	<b>DS220AL</b>	<b>DS320AL</b>	<b>DS420AL</b>
	Black	<b>DS120BK</b>	<b>DS220BK</b>	<b>DS320BK</b>	<b>DS420BK</b>
	Brown	<b>DS120</b>	<b>DS220B</b>	<b>DS320</b>	<b>DS420</b>
	Gray	<b>DS120GY</b>	<b>DS220GY</b>	<b>DS320GY</b>	<b>DS420GY</b>
	Ivory	<b>DS120I</b>	<b>DS220I</b>	<b>DS320I</b>	<b>DS420I</b>
	Light Almond	<b>DS120LA</b>	<b>DS220LA</b>	<b>DS320LA</b>	<b>DS420LA</b>
	Office White	<b>DS120OW</b>	<b>DS220OW</b>	<b>DS320OW</b>	<b>DS420OW</b>
	Red	<b>DS120R</b>	<b>DS220R</b>	<b>DS320R</b>	<b>DS420R</b>
	White	<b>DS120W</b>	<b>DS220W</b>	<b>DS320W</b>	<b>DS420W</b>

## Style Line® Decorator Specification Grade Commercial Series, Illuminated, Light ON with Load OFF 20A, 120/277V AC



Description	Rocker Color	Single Pole	Double Pole	Three Way	Four Way
Rocker, with Blue LED, back and side wired.	Black	<b>DS120ILBK</b>	—	<b>DS320ILBK</b>	—
	Ivory	<b>DS120IL</b>	—	<b>DS320IL</b>	—
	White	<b>DS120ILW</b>	—	<b>DS320ILW</b>	—

## Style Line® Decorator Specification Grade Commercial Series, Pilot, Light ON with Load ON 20A, 120/277V AC

Description	Rocker Color	Single Pole	Double Pole	Three Way	Four Way
Rocker, with Red LED, back and side wired.	Black	<b>DS120PLBK</b>	—	—	—
	Ivory	<b>DS120PLI</b>	—	—	—
	White	<b>DS120PLW</b>	—	—	—

Note: See page D-13 for pre-wired/leaded devices.  
See page D-15 for accessories and page D-16 for wallplates.  
See page D-22 for technical information.

## Style Line® Decorator Spec. Grade Commercial Series with Nightlight, 20A, 120/277V AC

Description	Rocker Color	Single Pole	Double Pole	Three Way	Four Way
Rocker, with Nightlight, self-grounding, push, back and side wired.	Almond	<b>DS120NLAL</b>	—	—	—
	Black	<b>DS120NLBK</b>	—	—	—
	Brown	<b>DS120NLBR</b>	—	—	—
	Gray	<b>DS120NLGY</b>	—	—	—
	Ivory	<b>DS120NLIV</b>	—	—	—
	Light Almond	<b>DS120NLLA</b>	—	—	—
	Office White	<b>DS120NLOW</b>	—	—	—
	Red	<b>DS120NLRD</b>	—	—	—
	White	<b>DS120NLWH</b>	—	—	—

Note: Light glows through the top portion of the rocker when switch is in the OFF position. Does not require a neutral wire.

### HP Conversion Chart

	120V	208V	240V	277V AC
15A	.5HP	1.5HP	2HP	2HP
20A	1HP	2HP	2HP	2HP

Dimensions in Inches (mm)